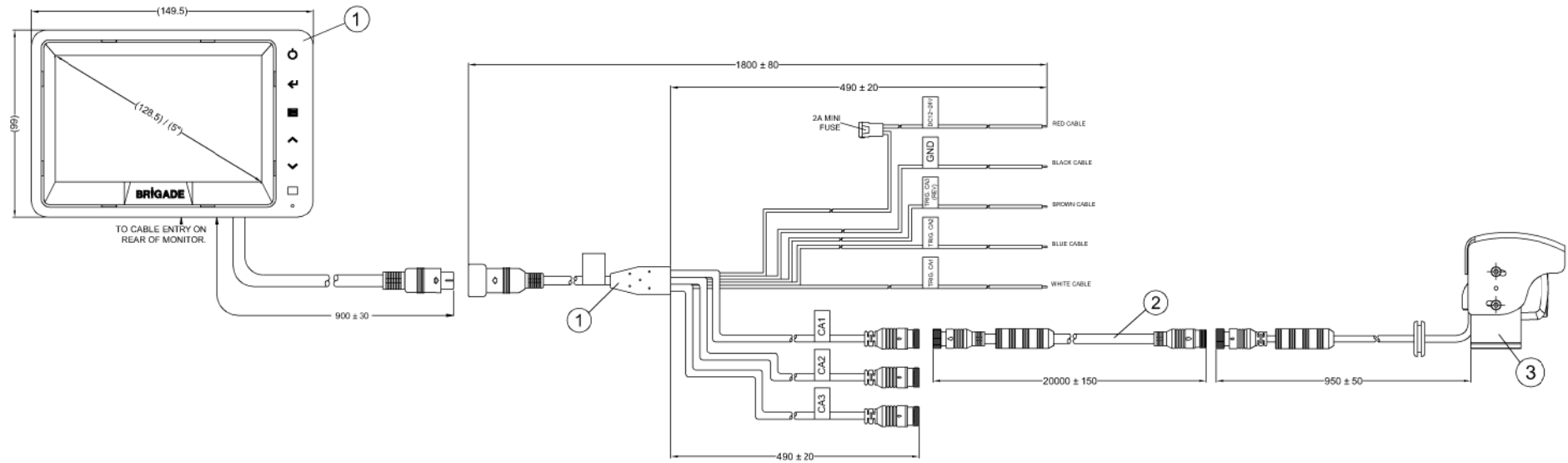


Revision Notes.				
APA: -	Drawn:	Checked:-	Approved:-	Date: --/--/----

ITEM	PART NO.	VARIANT	QTY	MODEL / DESCRIPTION
①	(4287A)	WGB	1	VBV-750M MONITOR KIT
②	(1380)	N/A	1	VBV-L420 20M CAMERA CABLE
③	(2808C)	WGB	1	VBV-710C CAMERA KIT



- NOTES:**
1. FOR COMPONENT DETAILS REFER TO COMPONENT DRAWINGS.
 2. FOR PRODUCT LABEL AND PACKAGING DETAIL REFER TO MASTER BOM.
 3. PURCHASE ORDER TO DEFINE SYSTEM PACKAGING VARIANT.

PROPRIETARY NOTICE
 THIS DESIGN AND TECHNICAL INFORMATION APPEARING ON THIS DRAWING IS THE PROPERTY OF BRIGADE ELECTRONICS, AND IS DISCLOSED IN CONFIDENCE. IT IS NOT TO BE COPIED, REPRODUCED, REVEALED TO OR EXPROPRIATED BY OTHERS, EITHER IN WHOLE OR IN PART WITHOUT THE EXPRESS WRITTEN CONSENT OF BRIGADE ELECTRONICS.

BRIGADE[®]
 www.brigade-electronics.com

Assembly PI Approval w.WU (29/05/2020)	Approved by S.LAVER	Checked by A.KEBEDE	Drawn by J.STEWART
Angle of Projection	Units mm	Scale N/A	Released 04/06/20
 Third Angle	Status RELEASED	Assembly Ref VBV-750-100	
	Part No 4708C	BE-004310-00-20	